

**EXECUTIVE INDOOR THERMAL SENSOR
MODEL PTS-S3EW**
THERMISTOR
DESCRIPTION

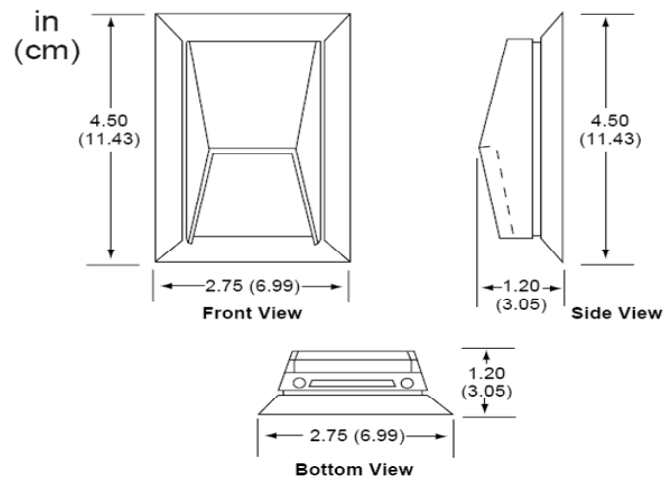
The Model PTS-S3EW Executive Indoor Thermistor Sensor provides precision room temperature sensing for the Proliphix NT20e and NT120e/h Network Thermostats. The active sensing element is made of a highly stable precision thermistor material accurate to within +/- .36°F (0.2°C).

FEATURES

- White Cover
- Five-year warranty
- +/- .36°F (0.2°C) accuracy
- Vented Housing for quick temperature response

APPLICATION

The white executive decorator enclosure is wall-mounted indoors where appearance is important. The separate base plate may be mounted directly to the drywall or on a standard electrical outlet box without adapters. The cover is secured with tamper-proof hex screws.

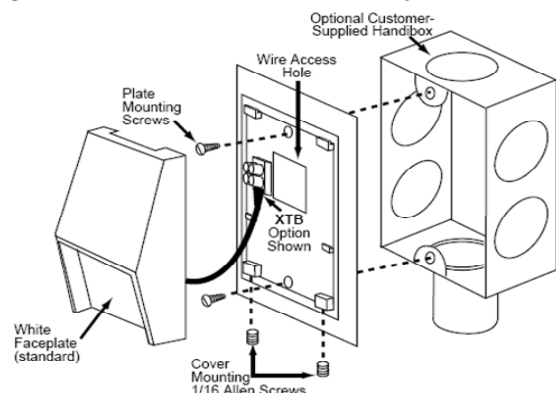

DIMENSIONS

SPECIFICATIONS

Sensing Element	Thermistor (thermal resistor)
Accuracy	+/- .36°F (0.2°C)
Temp Range	35° to 140°F (2° to 60°C)
Temp Response	NTC - Thermistor
Thermistor Stability	0.24°F (0.13°C) over 5 years
Connection	18" (46cm) 24 AWG pigtails
Mounting	Directly to wall or customer-supplied back box, no adapters needed for standard boxes.
Color	White plastic with white metal faceplate

MOUNTING

Toggle bolts or other direct wall-mount screws can be used where conduit is not required. Adapters are not required when mounting directly to electrical outlet boxes.

Basic model comes with screw terminal block, white decorator faceplate, two #6-32 screws for handibox-mounting, and two #6 x 1" screws for direct wall-mounting. Cover screws are #6-32 with a 1/16 allen key head.



The sensor should be mounted approximately 5' (12.7 cm) above the floor, on an interior wall, away from any heating or cooling generating devices.